

Do-It-Yourself Biology – Le Hacklab La Paillasse

Centre d'Alembert – Paris Sud

23 Novembre 2011

Thomas Landrain

Thomas.Landrain@lapaillasse.org

@t_landrain



Image courtesy of mac cowell

Hackers ?

- Amateurs
- Bidouilleurs
- Makers

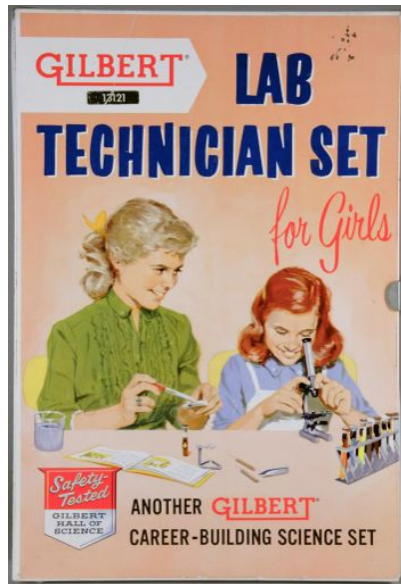


- Activistes
- Idéologues



Une communauté vibrante d'amateurs

CHEMISTRY



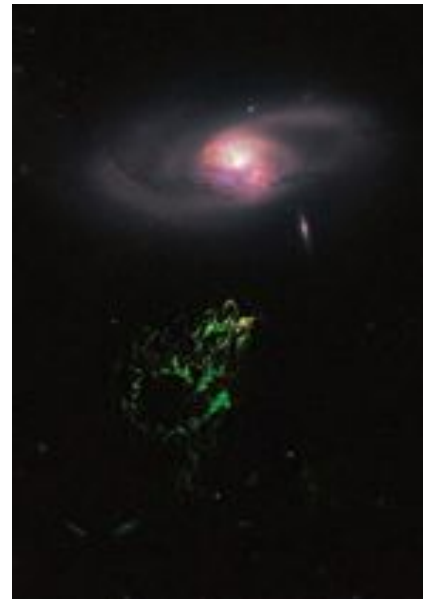
Lab Technician Set for Girls
c. 1958

PERSONAL COMPUTING



Homebrew Computer Club
September 1976

ASTRONOMY



Hanny's Voorwerp discovered
August 13, 2007

ROCKETRY



Amateur Saturn V launch in MD
April 25, 2009

BioHacking?



BioHacking?



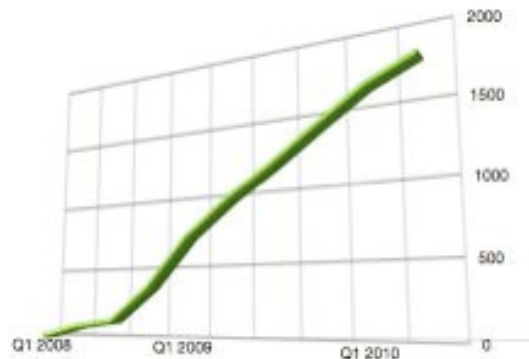
Open PCR Project
450€

Machine PCR à
construire soi-même

Global DIYbio Community



individuals on global mailing list 2008-current



An informal network of ~2000 amateur biologists, DIYbio is fast becoming an organizational hub, uniting the movement's participants through its website, online forums, local chapters & community labs.

Cities w/ active chapters that host local events, seminars, workshops, lectures, etc.

United States:

- Baltimore, MD
- Boston, MA
- Cambridge, MA
- Chicago, IL
- Los Angeles, CA
- New York, NY
- San Francisco, CA
- Seattle, WA

International:

- Bangalore, India
- Copenhagen, DK
- London, UK
- Madrid, Spain
- Paris, France

Différentes aires d'activité

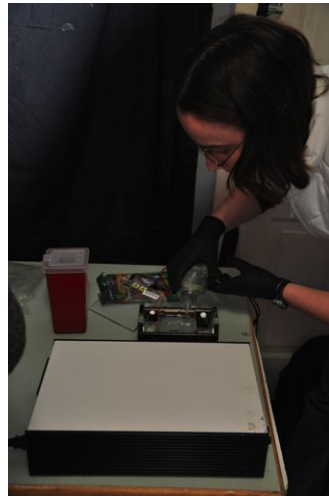
Biologie Exploratoire



Biologie Constructive



Veille
environnementale



Bio-surveillance
Personnelle



Création et détournement
d'équipements scientifiques



Bio-ingénierie

Moteur d'innovation: Des petites Start-Ups créent des kits et des appareils low-cost



Open GelBox 2.0



Microbial Fuel Cell



OpenPCR

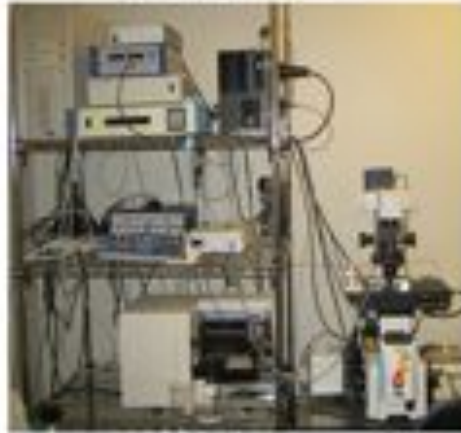


Dremelfuge

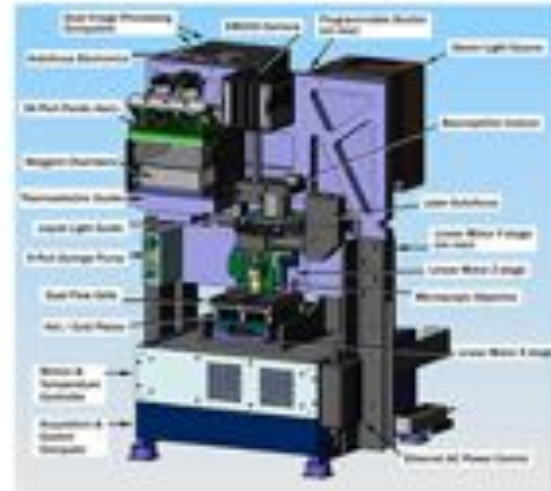


LavaAmp

DIY



R+D



Production



Prototype

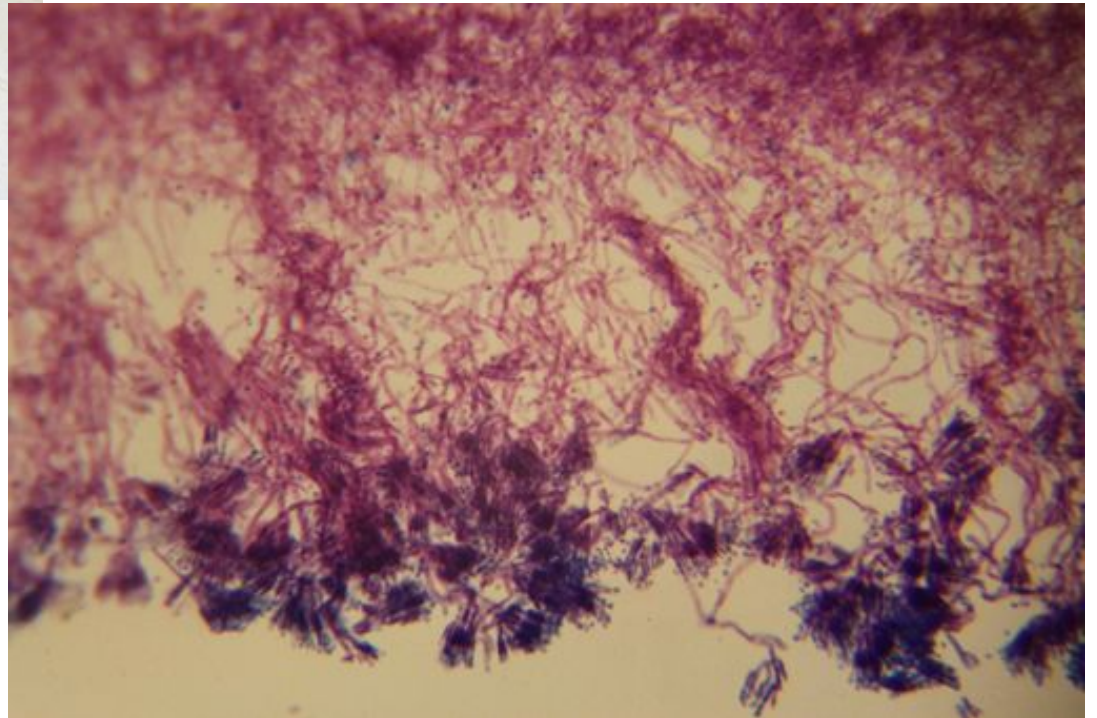


Autres projets



DIY microscope

Penicillium



Autres projets

- Yogourt détectant la présence de Mélamine
- Outils de visualisation de données de Génomique Personnelle
- Bio-weather Map
- NeuroHack

DIYbio Code of Ethics

Draft from the European Delegation

09/07/2011

Transparency

Emphasize transparency and the sharing of ideas, knowledge, data and results.

Safety

Adopt safe practices.

Open Access

Promote citizen science and decentralized access to biotechnology.

Education

Help educate the public about biotechnology, its benefits and implications.

Modesty

Know you don't know everything.

Community

Carefully listen to any concerns and questions and respond honestly.

Peaceful Purposes

Biotechnology must only be used for peaceful purposes.

Respect

Respect humans and all living systems.

Responsibility

Recognize the complexity and dynamics of living systems and our responsibility towards them.

Accountability

Remain accountable for your actions and for upholding this code.

DIYbio European Congress – May 2011





DIY BIO

MANCHESTER

University of Manchester
 School of Chemistry
 Bio-Office
 20 people
 Equipment
 Fun
 Open access
 Low cost
 Community

SCIENCE

Equipment
 Fun
 Open access
 Low cost
 Community

IRELAND

Open access
 Low cost
 Community

AMATEUR SCIENCE

Rocketry
 Open access
 Low cost
 Community

LONDON

Bio-Office
 Fun
 Open access
 Low cost
 Community

EUROPE

Open access
 Low cost
 Community

PARIS

Open access
 Low cost
 Community

DIY BIO

Open access
 Low cost
 Community

AMSTERDAM

Open access
 Low cost
 Community

BERLIN

Open access
 Low cost
 Community

FREIBURG

Open access
 Low cost
 Community

code matrix

	Thought	Info	Capital	
Location	★			low cost
Education				open access
Special				community
	Open access	Low cost	Community	



WHAT HOW WHO WHERE WHY



LOW-COST ACCESSIBLE BENEFICIAL



Community Labs



BioCurious
Bay Area, CA



A community lab is a shared workspace where individuals:

- collaborate on projects
- incubate new businesses
- prototype devices & tinker
- learn new skills & access expertise
- pool resources for capital equipment



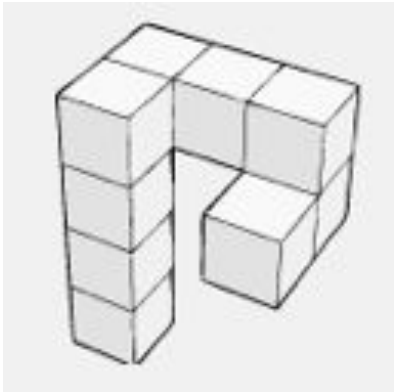
BOSSlab
Boston, MA



Genspace
Brooklyn, NY

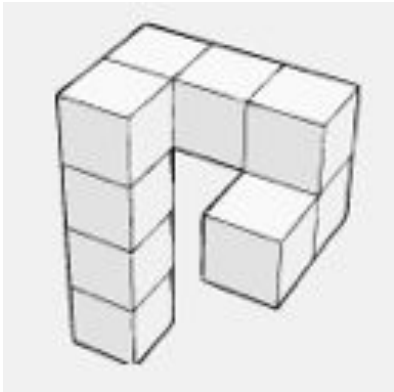
Garage Biology ?





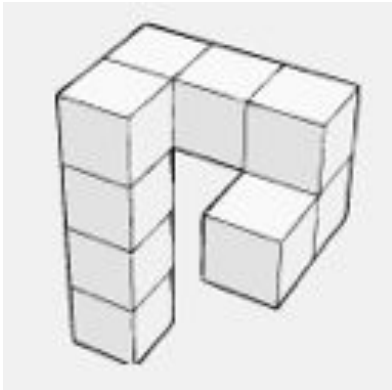
La Paillasse

- Premier laboratoire communautaire autour des biotechnologies
- Association loi 1901 – Créée en Mai 2011
- Noyau d'environ 10-12 personnes
- 60 personnes suivant notre liste de diffusion

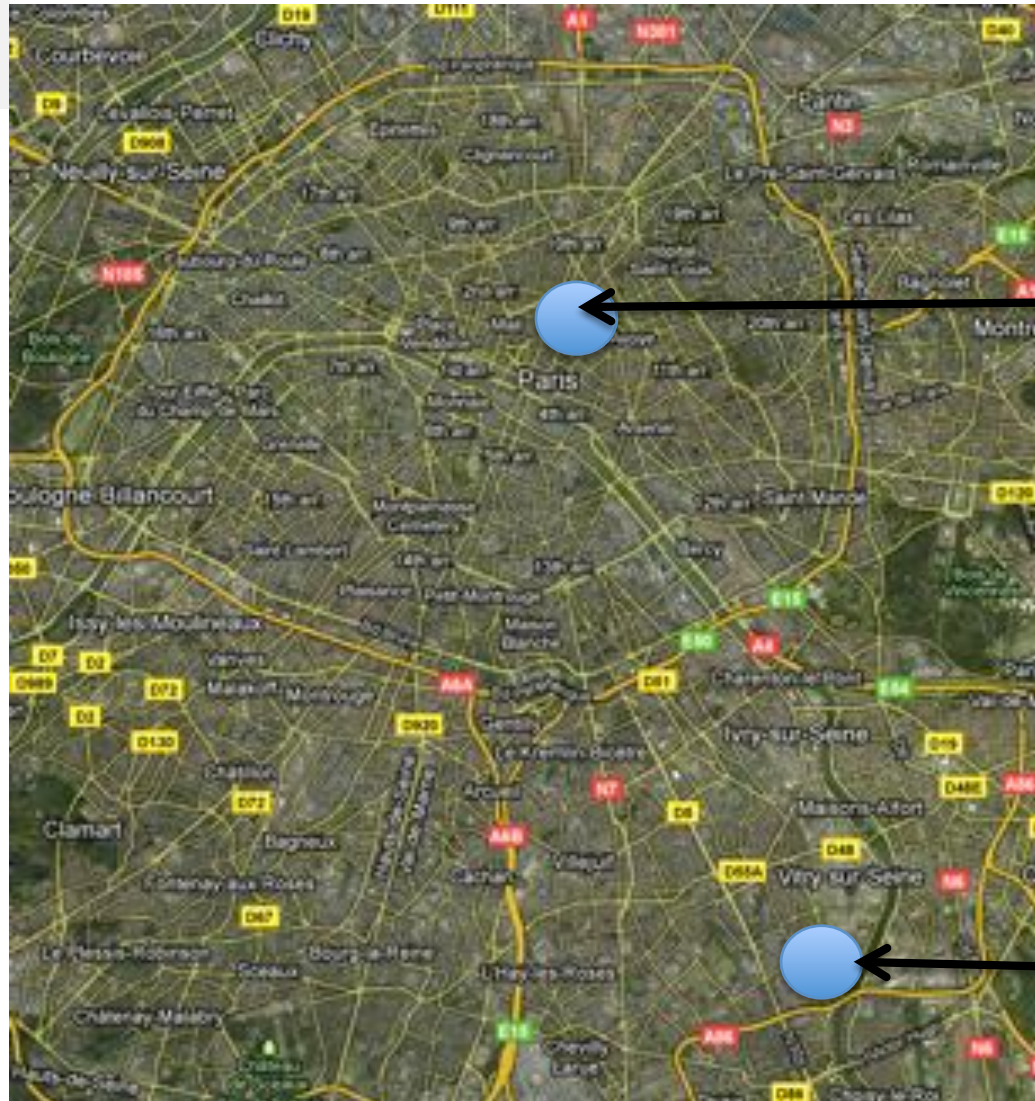


La Pailleasse

- Ateliers Pédagogiques
- Cycles de conférence
- NeuroHack
- Musique Protéique
- Vie/intelligence artificielle

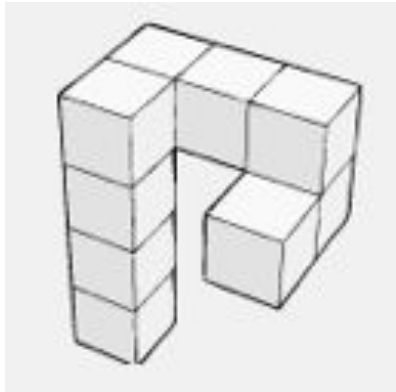


La Paillasse



Conferences
(La Gaité Lyrique)

Le Laboratoire
(/tmp/lab)



La Paillasse



http://www.lapaillasse.org

LA PAILLASSE

ACCUEIL
Home

A PROPOS
Who we are

PROJETS *
Projects

BLOG *
Last news

CONTACT *



SOON: HANDS ON EEG : BRAINWAVES IN ACTION !

EVENTS



FROM THE BLOG

Conference sur le
Biohacking au Centre
D'Alembert
November 22, 2011



Neurohack Workshop
November 12, 2011



Comment publier sur
laPaillasse.org
November 11, 2011

JOIN OUR MAILING LIST

Subscribe to our mailing-list to keep up
to date with all of our projects.

RECENT COMMENTS

CONTACT US

Name*

E-Mail*

SEND E-MAIL

Merci de votre
attention.

Si vous avez du
vieux matériel:

Ne le jetez pas
Prévenez-nous 😊